



**KSP**®

**MACHINE TOOL DIVISION**

HPWM800-1100  
 HPWM800-AC / 1100-AC  
**HIGH PRESSURE  
 WASHING CABIN SERIES**



**DETAILED  
 CLEANING**



**AUTOMATIC  
 DOOR**



**ARTICULATED  
 CABIN**



**FULL  
 CONTROL**

HPWM SERIES

18

	HPWM800	HPWM1100	HPWM800-AC	HPWM1100-AC
Dimensions of Working Area ( mm )	800 x 550	1100 x 700	800 x 550	1100 x 700
Loading Height of the Part ( mm )	800	800	800	800
Loading Capacity ( kg )	70	100	70	100
Tank Capacity ( L )	70	120	70	120
Pump Pressure	60 ( 150 bar optional )	60 ( 150 bar optional )	60 ( 150 bar optional )	60 ( 150 bar optional )
Pump Capacity ( L / min )	14	14	14	14
Pump Quantity and Power	1 pc. x 3,0 Hp	1 pc. x 3,0 Hp	1 pc. x 3,0 Hp	1 pc. x 3,0 Hp
Heater ( kW )	9	9	9	9
Electricity ( V / Phase / Hz )	220 - 380 - 415 / 1 - 3 / 50 - 60	220 - 380 - 415 / 1 - 3 / 50 - 60	220 - 380 - 415 / 1 - 3 / 50 - 60	220 - 380 - 415 / 1 - 3 / 50 - 60
Pressure Regulating Valves	s	s	s	s
Manometer	s	s	s	s
Air supply ( bar )	6 - 7	6 - 7	6 - 7	6 - 7
Temperature	0 - 50°C	0 - 50°C	0 - 50°C	0 - 50°C
Oil Skimmer	o	o	o	o
Foot Switch	s	s	s	s
High Pressure Water Gun	s	s	s	s
Stainless Steel Filter Basket	s	s	s	s
Air Gun for Drying	s	s	s	s
Interior Lighting	s	s	s	s
Air Jet Cleaning Windows	o	o	o	o
Cleaning Wiper	s	s	s	s
Loading System	pneumatic front door	pneumatic front door	articulated cabin	articulated cabin
AISI430 Stainless Steel Material	s	s	s	s
AISI304 Stainless Steel Material	o	o	o	o
AISI316 Stainless Steel Material	o	o	o	o
Packing Size and Weight ( mm - kg )	1300 x 720 x 2020 - 325 kg	1330 x 730 x 2000 - 350 kg	1300 x 790 x 1960 - 325 kg	1330 x 830 x 2060 - 350 kg

s standard o optional

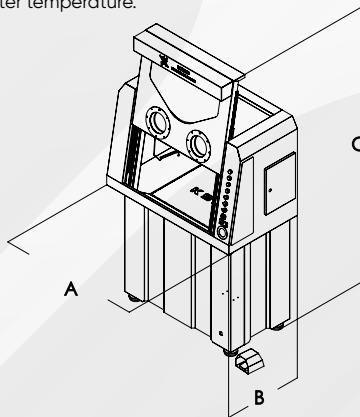


**WORKING PRINCIPLE**

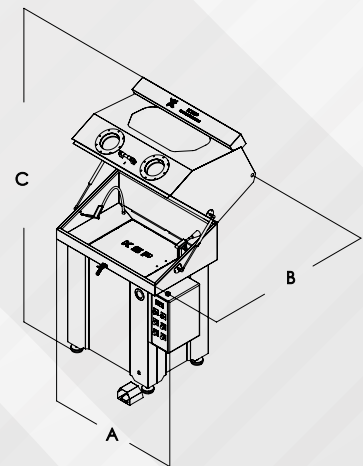
HPWM Series High Pressure Washing Cabinet Series Machines are designed to wash small and complex parts with high pressure and heated water. Thanks to the foot switch, it provides the operator with a much easier and controlled washing experience. The high-water flow and high pressure in the pump provide excellent cleaning. Hot water increases the cleaning effect, and the insulated tank minimizes energy loss. Good lighting in the washing cabin and the cleaning wiper on the window make it easy to see the part and increase operator control during washing. The air gun inside the cabinet helps to dry after washing. There are 3 separate filters in the machine. One is at the tank entrance, the second at the tank exit and third is on the pump line. Thanks to this filtering system, the life of the machine, water and detergent usage life is extended. All filters can be washed and reused so that extra costs are prevented. You will have full control of the machine thanks to the indicator and manometer that you can observe the water temperature.

**SPECIFICATIONS**

- Stainless Steel Body
- Developed to save water, detergent and energy
- Minimum water consumption by closed circuit water cycling system
- Heated water (solution) dispensed through Washing Gun to the part
- High user safety on pneumatic pistons
- A water level sensor is used to protect the pumps and heaters against dry running
- Heating elements are made of special material incoloy alloy
- European Electrical and Technical Components
- High-performance and reliable European Pumps



	HPWM800	HPWM1100
A	1175	1300
B	700	700
C	2375	2375
C <sub>close</sub>	1875	1875



	HPWM800-AC	HPWM1100-AC
A	1275	1300
B	1000	1150
C	2050	2100
C <sub>close</sub>	1850	1950



**KSP**®

**MACHINE TOOL DIVISION**

HPWM EVO S1-S2  
**HIGH PRESSURE WASHING CABIN WITH  
 ROTARY BASKET AND BRUSH**



**DETAILED  
 CLEANING**



**AUTOMATIC  
 DOOR**



**BEST  
 PERFORMANCE**



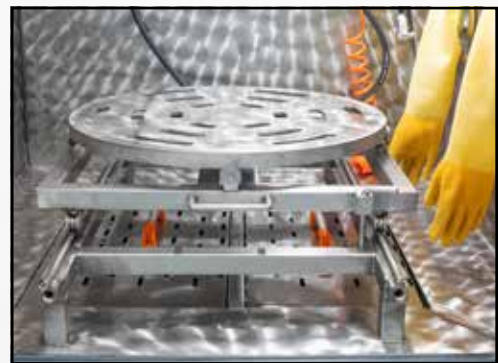
**FULL  
 CONTROL**

**HPWM EVO-S1**

**HPWM EVO-S2**

	<b>HPWM EVO-S1</b>	<b>HPWM EVO-S2</b>
Working Space ( mm )	1100 x 1000	1300 x 1200
Basket diameter ( mm )	600	750
Maximum loading height ( mm )	600	600
Maximum loading weight ( kg )	300	400
Tank Capacity ( L )	150	175
High pressure pump	s	s
High pressure pump capacity ( bar )	60 ( 150 bar optional )	60 ( 150 bar optional )
Pump Volume ( L / min )	14	14
High pressure pump motor ( kW )	1,1	1,1
Pressure unloader valve	s	s
Manometer	s	s
Hand brush washing	s	s
Hand Brush washing pump ( kW )	0,75 up to 1,5	0,75 up to 1,5
Hand Brush washing pump volume ( L / min )	20	20
Heater ( kW )	15	15
Temperature	0 - 50°C	0 - 50°C
Electricity ( V / Phase / Hz )	220 - 380 - 415 / 3 / 50	220 - 380 - 415 / 3 / 50
Control Box Voltage ( VDC )	24	24
Air Pressure Needed ( bar )	6 - 7	6 - 7
Foot Switch	s	s
Pneumatic Piston Front Door	s	s
Side Door Opening	manuel	manuel
Manual Rotary Table	s	s
Automatic Rotary Table	o	o
High Pressure Washing Gun	s	s
Hand Brush	s	s
Air Gun	s	s
Water Level Switch	s	s
Automatic Water Feeder	s	s
Stainless Steel Mesh Filter	s	s
Precision Filtration	o	o
Cabin Lighting System	s	s
Motorized Windscreen Wiper	s	s
Loading Trolley	s	s
AISI430 Stainless Steel Material	s	s
AISI430 Stainless Steel Material	o	o
AISI430 Stainless Steel Material	o	o
Packing Size and Weight ( mm - kg )	1420 x 1030 x 2120 - 400 kg	1480 x 1250 x 2130 - 500 kg

s standard o optional



**HPWM EVO SERIES**

20



**SPECIFICATIONS**

- Stainless Steel Body, Basket and Pipes
- Developed to save water, detergent and energy
- Minimum water consumption by closed circuit water cycling system
- Heated water (solution) dispensed through Washing Gun to the part
- High user safety on pneumatic pistons
- A water level sensor is used to protect the pumps and heaters against dry running
- Heating elements are made of special material incoloy alloy
- European Electrical and Technical Components
- High-performance and reliable European Pumps

**WORKING PRINCIPLE**

HPWM EVO has additionally great specification like as;

- Left side door for easy loading
- Trolley with external loading
- Turntable in order to effectively clean parts
- Best viewing window during washing with motorized windscreen wiper
- IP67 LED lighting system for exceptional visibility
- All in the compact cabinet

Cleaning heavy engine blocks and other greasy components are very easy now, thanks to KSP's new HPWM EVO.

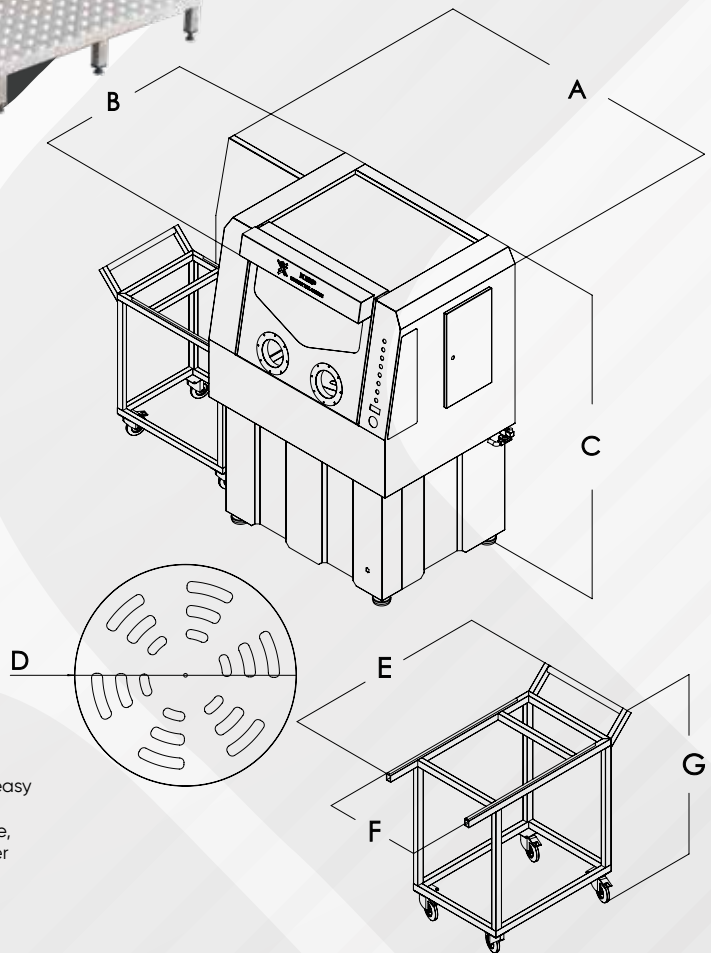
HPWM EVO High Pressure and Brush Washing Machine with Rotary table, is designed to wash heavy and complex parts with high pressured water based solution and brushing unit.

HPWM EVO has providing effective washing a variety of heavy and complex parts with foot pedal operated high pressure pump and foot pedal operated brush washing.

Trolley with external loading and turning table:  
Trolley turntable where heavy items are to be processed it is often easier to load these items externally to the washing cabinet using an overhead crane or forklift truck.

Turntable is an extremely useful system. A fixed turntable inside the machine enables easy maneuverability of the components to be washed. This turntable can run with gear-driven (o), but in standard model can be turned by hand.

HPWM Evo Series, with manual or automatic rotary basket according to your preference, provide the operator with a much easier and controlled washing experience.



	HPWM EVO S1	HPWM EVO S2
A	2175	2400
B	1000	1175
C	2000	2000
D	600	680
E	1150	1200
F	580	660
G	1075	1075



# HPWM8000-Eco HPWM1100-Eco

**HIGH PRESSURE  
WASHING CABIN**



**COMPACT  
DESIGN**



**HIGH  
PERFORMANCE**



**MINIMUM  
CONSUMPTION**



**TECHNICAL  
SERVICE**



	HPWM8000-Eco	HPWM1100-Eco
Dimension of Working Area (mm)	800 x 550	1100 x 700
Maximum Part Height (mm)	600	700
Maximum Part Weight (kg)	70	120
Tank Capacity (L)	70	100
Pump Pressure (bar)	80-130	0-130
Pressure Regulating Valves	standard	standard
Manometer	standard	standard
Heater (kW)	1 x 4,5	1 x 4,5
Electricity (V/Phase/Hz)	380 / 3 / 50	380 / 3 / 50
Electrical Control Voltage (V)	24	24
Required Air Pressure (bar)	6-7	6-7
Working Temperature	0-55°C	0-55°C
Safety Pedal	standard	standard
Front Cover Opening/Closing System	manuel	manuel
High Pressure Water Gun	standard	standard
Air Gun for Drying	standard	standard
Water Level Sensor	standard	standard
Stainless Steel Basket Filter	standard	standard
Sensitive Filtration Container	standard	standard
Interior Lighting	standard	standard
Window Cleaner Wiper	standard	standard
AISI430 Stainless Steel Material	standard	standard



**Affordable price, high quality!**



KSP Machine CO., serving to national and international market since 1998 with Industrial Parts Washing Systems, Degreasing Systems, Deburring Systems and Surface Treatment Systems. Throughout the years we have served, which has made us leading company in the national / international market with product quality and quality service approach.

KSP Machine offers the most suitable solutions to its customers in the field of engineering and manufacturing, if the products are subjected to washing, degreasing, phosphating, deburring, passivation, coating or any surface application process at any stage during the production process. KSP Machine, offers complete solutions to its customers through its Machinery and Automation Engineers.

KSP is increasing its export figures day by day, with more than 24 years of experience, high engineering knowledge, service quality and innovative management approach. KSP has become a reliable company with its qualified international dealers and exporting to more than 85 countries, as a result of QUALITY AND CONFIDENCE based service concept. KSP has become a followed company among international competitors by using the latest technology and making R&D.





#### QUALITY

- KSP Machine, on time with a quality beyond customer expectations delivering customer satisfaction.
- Adapting quality management as a lifestyle and to carry out all activities accordingly.
- Examining the Quality Management System with the principle of continuous improvement and to make necessary corrections.
- Supporting continuous improvement of employees' training needs and to ensure their effectiveness.
- Being a respected company in the NATIONAL market and then in the INTERNATIONAL market depending on the process.
- Being an environmentally sensitive company in all its activities.
- Acting in accordance with customer and / or international standards in the production process.
- Complying with the requirements of CE, ISO9001 and ISO140001 Quality Management System, to ensure the continuity of the quality management system and to update the quality targets according to the conditions of the day in order to reach the determined quality targets.
- Ensure that the Quality Management System is adopted by all employees and updated in accordance with their progress in the process.



#### PRECISION CLEANING

Precision cleaning, which is of great importance especially in medicine, optics, dentistry and aviation, is needed in many sectors. With our Cleaning Systems and many other systems used for washing small or complex products, we can meet all your needs at the precise cleaning point. Our Cleaning Systems and other systems not only provide precise cleaning but also save time and energy. In addition, the cleaning chemicals used are water-based and our systems are environmentally friendly.



#### SOLUTION PARTNER

KSP Machine, with 20 years of engineering and manufacturing experience, is committed to finding solutions to all problems of its customers in terms of parts cleaning. KSP will be your solution partner with its High Performance, Qualified & Quality Service, Flexible, Fast, responsive solutions and customer satisfaction principles as a result of these. Most of manufacturing methods such as painting, welding, assembling or packaging needs degreasing, deburring, lubrication, passivation or similar processes. We can offer various processes according to your needs. KSP is always the right solution partner to provide you the necessary cleaning systems for various manufacturing methods of yours. We are able to solve your cleaning needs with our standard products that has been manufactured so far. In the event that our existing systems are inadequate, we would like to state that we can offer you the most suitable washing system with our experience and ability.

#### Industrial Washing Machines and Systems manufactured by KSP Machine;

- Multi-Process Washing- Rinsing- Drying Machines,
- Tunnel Type Conveyor Series Washing Machines,
- Multi-Station Belt Type Washing Systems,
- Cabin Type Automatic Multiple Washing Processes,
- Top Loading High Pressure Spray Washing System with Rotary Basket,
- Front Loading High Pressure Spray Washing System with Rotary Basket,
- Diesel Particulate Filter Cleaning Machines,
- High Pressure Cabin Washing Machines,
- Platform Agitation Washings,
- Ultrasonic Cleaning Machines,
- Multistage Ultrasonic Cleaning System,
- Robot Transport Ultrasonic Cleaning System.

#### The sectors we serve as KSP are;

- Industrial Parts Washing Machines and Systems
- Automotive Repair and Maintenance Stations
- Equipment Cleaning Machines
- Aviation and Defense Industry
- Transportation and Logistics Industry
- Heavy Duty Sector
- Machining Sector
- Food Industry
- Electrical and Electronics Industry
- Medical, Optics and Dentistry
- Metalwork, Coating and Pre-Paint Preparation Systems
- Coating and Phosphate Systems
- Surface Treatment Systems

